

Laser Alignment System

The Laser Alignment System is a product developed by Meltio to aid the adoption of our state-of-the-art wire-laser deposition technology as well as to ensure print process reliability, and enhance user experience.

The Laser Alignment System allows Meltio users to calibrate Meltio's multi-laser deposition head accurately and effortlessly on all three of our products. The system consists of a laser alignment camera that has to be placed under the printhead as it allows for a clear view of the focus point of the lasers. The camera is controlled using a portable controller, which also comes included in the kit as well as a software specifically designed to filter the camera image and guide the user to focus each laser on the most optimal point.

System Compatibility

Meltio M450

Meltio Horizon is fully compatible with the Meltio M450.

Meltio Engine Robot Integration

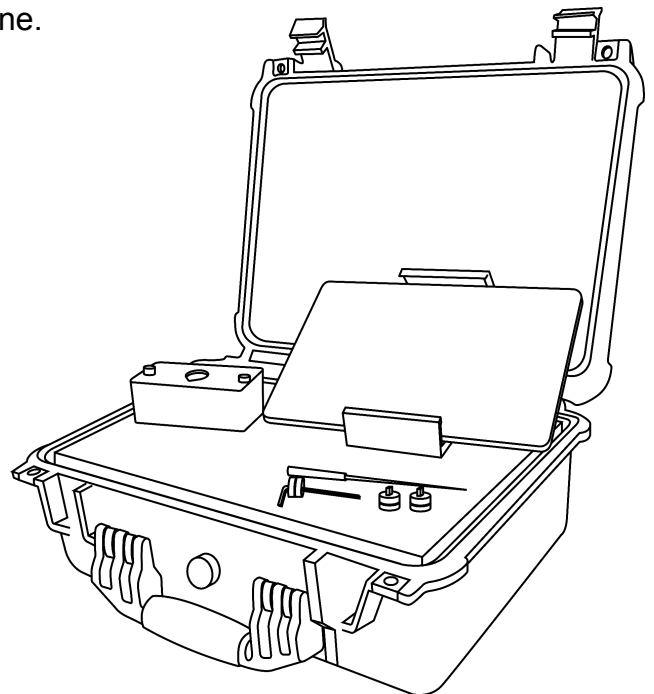
Meltio Horizon is fully compatible with the Meltio Engine.

Meltio Engine CNC Integration

Meltio Horizon is fully compatible with the Meltio Engine.

Components

- Laser alignment camera
- Controller (10" tablet)
- Connection cable
- Charger for the controller
- Tool kit
- Case
- Mounting Meltio M450 / Meltio Engine



Technical Specification

- Alignment accuracy: 0.05mm
- Repeatability: 0.005mm
- Connectivity camera - controller (tablet): USB cable C
- Connectivity controller (tablet) - M450 and Engine: Wifi
- Possibility of offline use (not wifi needing)
- Power supply 100-240V AC 50-60Hz
- Size 115 x 55 x 42.10 mm
- Fixing hole distance: 100 mm (Din912 screws 2xM6*45mm)
- Packing size 430 x 320 x 180 mm
- Weight 4.7 kg